

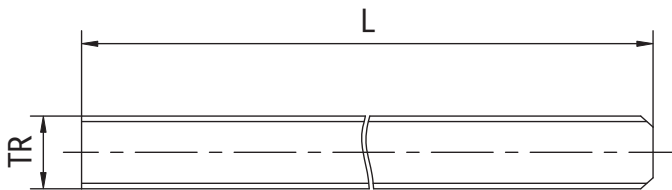
## 高螺旋线丝杆 Lead screws with high helix



### 产品特性 Product features

- 左旋和右旋螺纹可选
- 可选材料：304不锈钢
- 可以根据客户图纸加工
- Thread: right- or left-hand
- Available materials: 304 stainless steel
- Length and machining according to customer drawing

### 标准规格 Standard specifications



产品编码 Part No.:

HLS-6.35×12.7R-N6-ES-0000

- 长度 Length
- 不锈钢 Stainless steel
- 螺纹数 Thread numble
- R-右旋Right L-左旋Left
- 螺纹 Thread

产品编码 Part No.	直径 Outer diameter [mm]	齿根直径 Core diameter [mm]	导程 Lead S [mm]	螺距 Pitch P [mm]	Pitch angle $\alpha$ [°]	头数 Numble of threads N [pcs]	重量 Weight [kg/m]
HLS-6.35x6.35R-N4-ES-0000	6.35	4.45	6.35	1.588	20.35	4	0.25
HLS-6.35×12.7R-N6-ES-0000	6.35	4.35	12.7	2.12	32.48	6	0.25
HLS-6.35×25.4R-N8-ES-0000	6.35	4.15	25.4	3.175	51.85	8	0.25
HLS-8×10R-N4-ES-0000	8	5.63	10	2.5	21.70	4	0.40
HLS-8×15R-N10-ES-0000	8	5.63	15	1.5	30.83	10	0.40
HLS-10×12R-N4-ES-0000	10	6.95	12	3	21.54	4	0.62
HLS-10×25R-N10-ES-0000	10	7.10	25	2.5	38.51	10	0.62
HLS-12×25R-N10-ES-0000	12	8.95	25	3.175	33.55	10	0.89
HLS-14×30R-N6-ES-0000	14	9.60	30	5	34.30	6	1.22
HLS-18×24R-N8-ES-0000	18	14.40	24	3	22.99	8	2.01
HLS-18×40R-N8-ES-0000	18	13.60	40	5	35.55	8	2.01
HLS-20×20R-N5-ES-0000	20	15.60	20	4	17.66	5	2.48
HLS-20×80R-N12-ES-0000	20	16	80	6.667	55.11	12	2.48

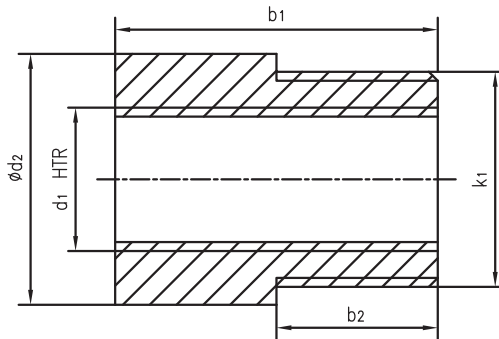
### 高螺旋线圆柱螺母 High helix nuts, round



#### 产品特性 Product features

- 自润滑、低磨损
- 高效率传动
- 极低的摩擦系数
- 耐腐蚀，可用于液体介质环境
- 抵抗灰尘和无噪音运行
- 可选材料：EPB13, EPB7, EPB5A
- Self lubricating and lower wear
- High efficiency drive
- Best coefficient of friction
- Chemical resistant
- Dust resistant and quiet running
- Available materials: EPB13, EPB7 and EPB5A

#### 标准规格 Standard specifications



产品编码 Part No.:

SNR-14 13HTR6.35 × 12.7R-N6

- 螺纹数 Thread numble
- R-右旋Right L-左旋Left
- 螺纹 Thread
- 长度 Length
- 直径 Diameter

产品编码 Part No.	$d_2$ [mm]	$b_1$ [mm]	$d_1 \times s$ [mm]	头数 N [pcs]	$k_1 \times p$ [mm]	$b_2$ [mm]
SNR-1413HTR6.35 × 12.7R-N6	14	13	HTR6.35 × 12.7	6	M12 × 1.5	6
SNR-1413HTR6.35 × 25.4R-N8	14	13	HTR6.35 × 25.4	8	M12 × 1.5	6
SNR-1812HTR8 × 10R-N4	18	12	HTR8 × 10	4	M16 × 1.5	6
SNR-1812HTR8 × 15R-N10	18	12	HTR8 × 15	10	M16 × 1.5	6
SNR-2220HTR10 × 12R-N4	22	20	HTR10 × 12	4	M20 × 1.5	10
SNR-2220HTR10 × 25R-N10	22	20	HTR10 × 25	10	M20 × 1.5	10
SNR-2624HTR12 × 25R-N10	26	24	HTR12 × 25	10	M24 × 2	12
SNR-3027HTR14 × 30R-N6	30	27	HTR14 × 30	6	M27 × 2	14
SNR-4036HTR18 × 24R-N8	40	36	HTR18 × 24	8	M36 × 3	18
SNR-4036HTR18 × 40R-N8	40	36	HTR18 × 40	8	M36 × 3	18
SNR-4540HTR20 × 20R-N5	45	40	HTR20 × 20	5	M42 × 3	20

产品编码 Part No.	有效接触面积 Effective supporting surface [mm <sup>2</sup> ]	最大轴向静载荷 Max. stat. axial F [N]	效率 Efficiency $\eta$	摩擦系数 Coefficient of friction $\mu$	重量 Weight [g]
SNR-1413HTR6.35 × 12.7R-N6	67	152	60-81	0.1-0.25	2.40
SNR-1413HTR6.35 × 25.4R-N8	74	152	57-81	0.1-0.25	2.40
SNR-1812HTR8 × 10R-N4	127	275	55-77	0.1-0.25	3.65
SNR-1812HTR8 × 15R-N10	110	275	60-81	0.1-0.25	3.65
SNR-2220HTR10 × 12R-N4	195	487	55-76	0.1-0.25	6.74
SNR-2220HTR10 × 25R-N10	249	623	61-82	0.1-0.25	8.70
SNR-2624HTR12 × 25R-N10	302	754	61-81	0.1-0.25	14.94
SNR-3027HTR14 × 30R-N6	440	1101	61-81	0.1-0.25	21.50
SNR-4036HTR18 × 24R-N8	844	2110	55-77	0.1-0.25	52.00
SNR-4036HTR18 × 40R-N8	786	1966	61-81	0.1-0.25	52.00
SNR-4540HTR20 × 20R-N5	984	2460	52-74	0.1-0.25	73.50

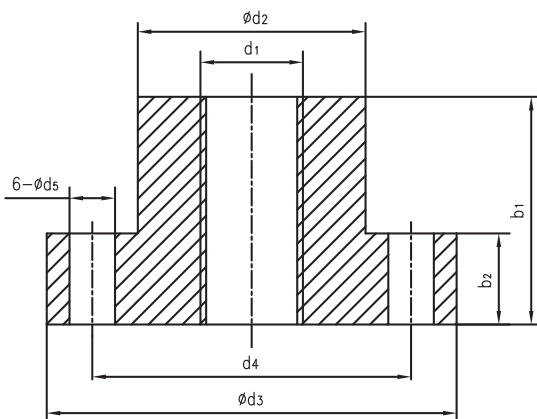
## 高螺旋线圆柱法兰螺母 High helix nuts, round flange



### 产品特性 Product features

- 自润滑、低磨损
- 高效率传动
- 螺丝固定易安装
- 极低的摩擦系数
- 耐腐蚀，可用于液体介质环境
- 抵抗灰尘和无噪音运行
- 可选材料：EPB13, EPB7, EPB5A
- Self lubricating and lower wear
- High efficiency drive
- Easy installation with bolts
- Best coefficient of friction
- Chemical resistant
- Dust resistant and quiet running
- Available materials: EPB13, EPB7 and EPB5A

### 标准规格 Standard specifications



产品编码 Part No.:

SNRF-1315HTR6.35 × 12.7R-N6

- 螺纹数 Thread numble
- R-右旋Right L-左旋Left
- 螺纹 Thread
- 长度 Length
- 直径 Diameter

产品编码 Part No.	d <sub>2</sub> [mm]	b <sub>1</sub> [mm]	d <sub>3</sub> [mm]	b <sub>2</sub> [mm]	d <sub>4</sub> [mm]	d <sub>5</sub> [mm]	d <sub>1</sub> × s [mm]	头数 Number of threads N [pcs]
SNRF-1315HTR6.35 × 12.7R-N6	13	15	25	5	19	3.2	HTR6.35 × 12.7	6
SNRF-1315HTR6.35 × 25.4R-N8	13	15	25	5	19	3.2	HTR6.35 × 25.4	8
SNRF-2020HTR8 × 10R-N4	20	20	34	5	28	4	HTR8 × 10	4
SNRF-2020HTR8 × 15R-N10	20	20	34	5	28	4	HTR8 × 15	10
SNRF-2525HTR10 × 12R-N4	25	25	42	10	34	5	HTR10 × 12	4
SNRF-2525HTR10 × 25R-N10	25	25	42	10	34	5	HTR10 × 25	10
SNRF-2835HTR12 × 25R-N10	28	35	48	12	38	6	HTR12 × 25	10
SNRF-2835HTR14 × 30R-N6	28	35	48	12	38	6	HTR14 × 30	6
SNRF-2835HTR18 × 24R-N8	28	35	48	12	38	6	HTR18 × 24	8
SNRF-2835HTR18 × 40R-N8	28	35	48	12	38	6	HTR18 × 40	8
SNRF-3244HTR20 × 20R-N5	32	44	55	12	45	7	HTR20 × 20	5
SNRF-3244HTR20 × 80R-N12	32	44	55	12	45	7	HTR20 × 80	12

产品编码 Part No.	有效接触面积 Effective supporting surface [mm <sup>2</sup> ]	最大轴向静载荷 Max. stat. axial F [N]	效率 Efficiency η	摩擦系数 Coefficient of friction μ	重量 Weight [g]
SNRF-1315HTR6.35 × 12.7R-N6	78	125	60-81	0.1-0.25	4.90
SNRF-1315HTR6.35 × 25.4R-N8	86	125	57-81	0.1-0.25	4.90
SNRF-2020HTR8 × 10R-N4	212	458	55-77	0.1-0.25	12.29
SNRF-2020HTR8 × 15R-N10	183	459	60-81	0.1-0.25	12.29
SNRF-2525HTR10 × 12R-N4	325	811	55-76	0.1-0.25	28.70
SNRF-2525HTR10 × 25R-N10	312	780	61-82	0.1-0.25	28.70
SNRF-2835HTR12 × 25R-N10	440	1100	61-81	0.1-0.25	45.40
SNRF-2835HTR14 × 30R-N6	571	1428	61-81	0.1-0.25	45.40
SNRF-2835HTR18 × 24R-N8	710	1776	55-77	0.1-0.25	40.19
SNRF-2835HTR18 × 40R-N8	764	1910	61-81	0.1-0.25	50.90
SNRF-3244HTR20 × 20R-N5	1083	2708	52-74	0.1-0.25	60.20
SNRF-3244HTR20 × 80R-N12	704	1769	52-74	0.1-0.25	60.20

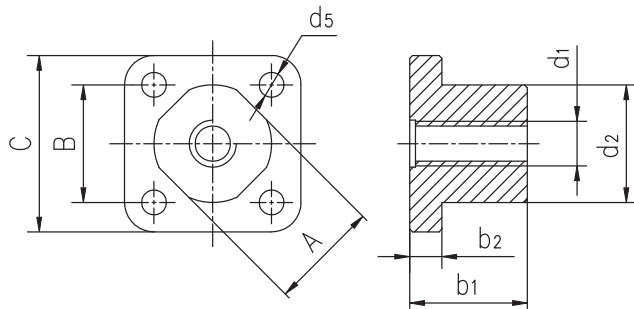
### 高螺旋线方法兰螺母 High helix nuts, square flange



#### 产品特性 Product features

- 自润滑、低磨损
- 高效率传动
- 螺丝固定易安装
- 极低的摩擦系数
- 耐腐蚀，可用于液体介质环境
- 抵抗灰尘和无噪音运行
- 可选材料：EPB13, EPB7, EPB5A
- Self lubricating and lower wear
- High efficiency drive
- Easy installation with bolts
- Best coefficient of friction
- Chemical resistant
- Dust resistant and quiet running
- Available materials: EPB13, EPB7 and EPB5A

## 标准规格 Standard specifications



产品编码 Part No.:

**SNSF-111212HTR6.35 × 12.7R-N6**

螺纹数 Thread numble  
 R-右旋Right L-左旋Left  
 螺纹 Thread  
 长度 Length  
 直径 Diameter  
 宽度 Width

产品编码 Part No.	d <sub>2</sub> [mm]	b <sub>1</sub> [mm]	A [mm]	B [mm]	C [mm]	b <sub>2</sub> [mm]	d <sub>5</sub> [mm]	d <sub>1</sub> × s [mm]	头数 Number of threads N [pcs]
SNSF-111212HTR6.35 × 12.7R-N6	12	12	11	12	18	4	3.2	HTR6.35 × 12.7	6
SNSF-111212HTR6.35 × 25.4R-N8	12	12	11	12	18	4	3.2	HTR6.35 × 25.4	8
SNSF-192020HTR8 × 10R-N4	20	20	19	20	30	5.5	4.2	HTR8 × 10	4
SNSF-192020HTR8 × 15R-N10	20	20	19	20	30	5.5	4.2	HTR8 × 15	10
SNSF-192020HTR10 × 12R-N4	20	20	19	20	30	5.5	4.2	HTR10 × 12	4
SNSF-192020HTR10 × 25R-N10	20	20	19	20	30	5.5	4.2	HTR10 × 25	10
SNSF-222425HTR12 × 25R-N10	24	25	22.6	24	34	6	5	HTR12 × 25	10
SNSF-222425HTR14 × 30R-N6	24	25	22.6	24	34	6	5	HTR14 × 30	6
SNSF-252825HTR18 × 24R-N8	28	25	25.5	27	38	6.5	6	HTR18 × 24	8
SNSF-252825HTR18 × 40R-N8	28	25	25.5	27	38	6.5	6	HTR18 × 40	8
SNSF-293225HTR20 × 80R-N12	32	25	29	30	42	8	6	HTR20 × 80	12

产品编码 Part No.	有效接触面积 Effective supporting surface [mm <sup>2</sup> ]	最大轴向静载荷 Max. stat. axial F [N]	效率 Efficiency η	摩擦系数 Coefficient of friction μ	重量 Weight [g]
SNSF-111212HTR6.35 × 12.7R-N6	78	125	60-81	0.1-0.25	2.71
SNSF-111212HTR6.35 × 25.4R-N8	86	125	57-81	0.1-0.25	2.71
SNSF-192020HTR8 × 10R-N4	203	507	55-77	0.1-0.25	12.66
SNSF-192020HTR8 × 15R-N10	254	634	60-81	0.1-0.25	12.66
SNSF-192020HTR10 × 12R-N4	338	846	55-76	0.1-0.25	11.82
SNSF-192020HTR10 × 25R-N10	312	779	61-82	0.1-0.25	11.82
SNSF-222425HTR12 × 25R-N10	433	1083	61-81	0.1-0.25	18.93
SNSF-222425HTR14 × 30R-N6	571	1427	61-81	0.1-0.25	17.41
SNSF-252825HTR18 × 24R-N8	802	2004	55-77	0.1-0.25	21.48
SNSF-252825HTR18 × 40R-N8	764	1911	61-81	0.1-0.25	21.48
SNSF-293225HTR20 × 80R-N12	573	1957	52-74	0.1-0.25	31.2

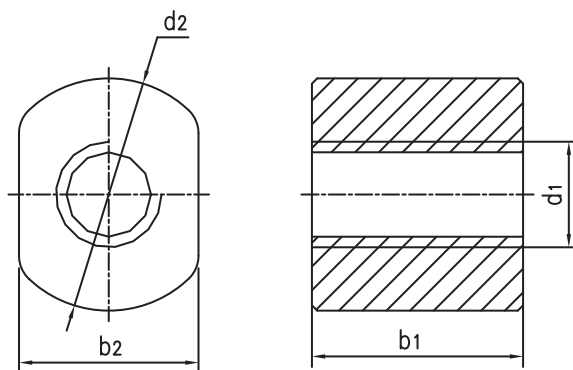
### 高螺旋线扁螺母 High helix nuts with spanner flat



#### 产品特性 Product features

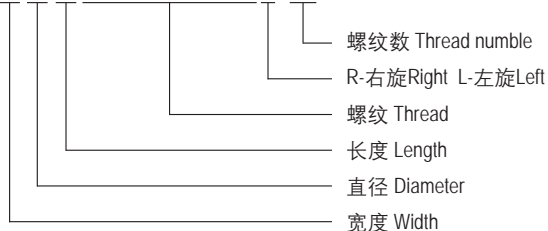
- 自润滑、低磨损
- 高效率传动
- 极低的摩擦系数
- 耐腐蚀，可用于液体介质环境
- 抵抗灰尘和无噪音运行
- 节约安装空间，易装配
- 可选材料：EPB13, EPB7, EPB5A
- Self lubricating and lower wear
- High efficiency drive
- Best coefficient of friction
- Chemical resistant
- Dust resistant and quiet running
- Save space and easy installation
- Available materials: EPB13, EPB7 and EPB5A

#### 标准规格 Standard specifications



产品编码 Part No.:

SNF-111212HTR6.35 × 12.7R-N6



产品编码 Part No.	d <sub>2</sub> [mm]	b <sub>2</sub> [mm]	b <sub>1</sub> [mm]	d <sub>1</sub> × s [mm]	头数 Number of threads N [pcs]
SNF-111212HTR6.35 × 12.7R-N6	12	11	12	HTR6.35 × 12.7	6
SNF-111212HTR6.35 × 25.4R-N8	12	11	12	HTR6.35 × 25.4	8
SNF-192020HTR8 × 10R-N4	20	19	20	HTR8 × 10	4
SNF-192020HTR8 × 15R-N10	20	19	20	HTR8 × 15	10
SNF-192020HTR10 × 12R-N4	20	19	20	HTR10 × 12	4
SNF-192020HTR10 × 25R-N10	20	19	20	HTR10 × 25	10
SNF-222425HTR12 × 25R-N10	24	22.6	25	HTR12 × 25	10
SNF-222425HTR14 × 30R-N6	24	22.6	25	HTR14 × 30	6
SNF-252825HTR18 × 24R-N8	28	22.6	25	HTR18 × 24	8
SNF-252825HTR18 × 40R-N8	28	22.6	25	HTR18 × 40	8

产品编码 Part No.	有效接触面积 Effective supporting surface [mm <sup>2</sup> ]	最大轴向静载荷 Max. stat. axial F [N]	效率 Efficiency $\eta$	摩擦系数 Coefficient of friction $\mu$	重量 Weight [g]
SNF-111212HTR6.35 × 12.7R-N6	62	152	60-81	0.1-0.25	1.46
SNF-111212HTR6.35 × 25.4R-N8	69	152	57-81	0.1-0.25	1.46
SNF-192020HTR8 × 10R-N4	203	507	55-77	0.1-0.25	7.86
SNF-192020HTR8 × 15R-N10	203	507	60-81	0.1-0.25	7.86
SNF-192020HTR10 × 12R-N4	271	677	55-76	0.1-0.25	7.02
SNF-192020HTR10 × 25R-N10	249	623	61-82	0.1-0.25	7.02
SNF-222425HTR12 × 25R-N10	433	1083	61-81	0.1-0.25	7.02
SNF-222425HTR14 × 30R-N6	408	1019	61-81	0.1-0.25	11.12
SNF-252825HTR18 × 24R-N8	573	1431	55-77	0.1-0.25	13.46
SNF-252825HTR18 × 40R-N8	546	1365	61-81	0.1-0.25	13.46

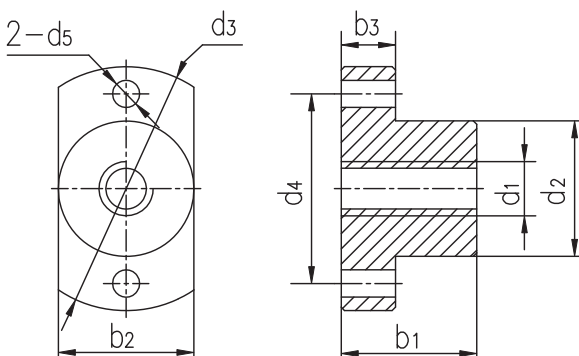
## 高螺旋线扁法兰螺母 High helix nuts with flat flange



### 产品特性 Product features

- 自润滑、低磨损
  - 高效率传动
  - 极低的摩擦系数
  - 耐腐蚀，可用于液体介质环境
  - 抵抗灰尘和无噪音运行
  - 节约安装空间，易用螺丝固定
  - 可选材料：EPB13, EPB7, EPB5A
- Self lubricating and lower wear
  - High efficiency drive
  - Best coefficient of friction
  - Chemical resistant
  - Dust resistant and quiet running
  - Save space and easy installation with bolts
  - Available materials: EPB13, EPB7 and EPB5A

### 标准规格 Standard specifications



产品编码 Part No.:

SNFF-1315HTR6.35 × 12.7R-N6

- 螺纹数 Thread numble
- R-右旋Right L-左旋Left
- 螺纹 Thread
- 长度 Length
- 直径 Diameter

产品编码 Part No.	d <sub>2</sub> [mm]	b <sub>1</sub> [mm]	d <sub>3</sub> [mm]	b <sub>3</sub> [mm]	b <sub>2</sub> [mm]	d <sub>4</sub> [mm]	d <sub>5</sub> [mm]	d <sub>1</sub> × s [mm]	头数 Number of threads N [pcs]
SNFF-1315HTR6.35 × 12.7R-N6	13	15	25	5	13	19	3.2	HTR6.35 × 12.7	6
SNFF-1315HTR6.35 × 25.4R-N8	13	15	25	5	13	19	3.2	HTR6.35 × 25.4	8
SNFF-2020HTR8 × 10R-N4	20	20	36	8	20	28	4	HTR8 × 10	4
SNFF-2020HTR8 × 15R-N10	20	20	36	8	20	28	4	HTR8 × 15	10
SNFF-2525HTR10 × 12R-N4	25	25	42	10	25	34	5	HTR10 × 12	4
SNFF-2525HTR10 × 25R-N10	25	25	42	10	25	34	5	HTR10 × 25	10
SNFF-2835HTR12 × 25R-N10	28	35	48	12	28	38	6	HTR12 × 25	10
SNFF-2835HTR14 × 30R-N6	28	35	48	12	28	38	6	HTR14 × 30	6
SNFF-2835HTR18 × 24R-N8	28	35	48	12	28	38	6	HTR18 × 24	8
SNFF-2835HTR18 × 40R-N8	28	35	48	12	28	38	6	HTR18 × 40	8
SNFF-3244HTR20 × 80R-N12	32	44	55	12	32	45	7	HTR20 × 80	12

产品编码 Part No.	有效接触面积 Effective supporting surface [mm <sup>2</sup> ]	最大轴向静载荷 Max. stat. axial F [N]	效率 Efficiency η	摩擦系数 Coefficient of friction μ	重量 Weight [g]
SNFF-1315HTR6.35 × 12.7R-N6	78	125	60-81	0.1-0.25	3.7
SNFF-1315HTR6.35 × 25.4R-N8	114	125	57-81	0.1-0.25	3.7
SNFF-2020HTR8 × 10R-N4	203	507	55-77	0.1-0.25	12.7
SNFF-2020HTR8 × 15R-N10	205	513	60-81	0.1-0.25	12.7
SNFF-2525HTR10 × 12R-N4	343	858	55-76	0.1-0.25	23.7
SNFF-2525HTR10 × 25R-N10	312	779	61-82	0.1-0.25	23.7
SNFF-2835HTR12 × 25R-N10	562	1405	61-81	0.1-0.25	39.2
SNFF-2835HTR14 × 30R-N6	571	1427	61-81	0.1-0.25	37.1
SNFF-2835HTR18 × 24R-N8	821	2053	55-77	0.1-0.25	31.9
SNFF-2835HTR18 × 40R-N8	764	1911	61-81	0.1-0.25	31.9
SNFF-3244HTR20 × 80R-N12	704	1769	52-74	0.1-0.25	50.1